



Shutter Shop Honeycomb Shade Program Binder

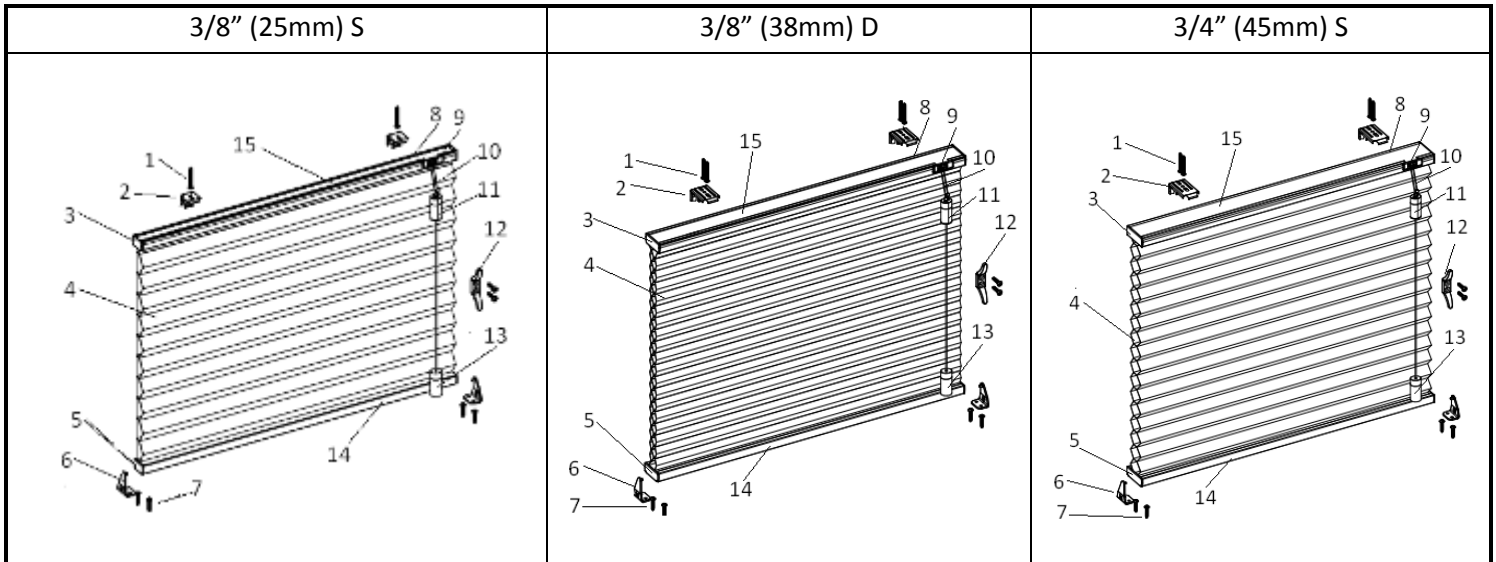
Approver		Corded	Code	P-HC-0008
			Edition	A
Reviewer	Monica Lai		Page	1/8
Compiler	Maggie Zhang		Effective Date	2017/1/1

Table of Contents

	Page
Terminology	2-3
Components	3-4
Available Blanket	5
Size Limitation	5
Colour Options	5
Installation illustration	6-7
Order Size Definition	7-8
The Claim Limitation Date for Shipping Damage for Airfreight Orders	8

Approver		Corded	Code	P-HC-0008
			Edition	A
Reviewer	Monica Lai		Page	2/8
Compiler	Maggie Zhang		Effective Date	2017/1/1

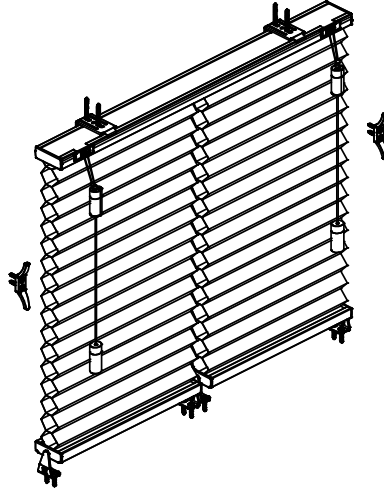
1. Terminology



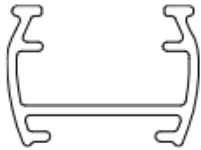
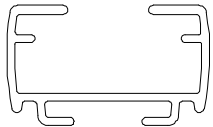

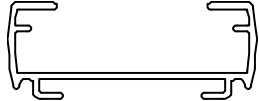


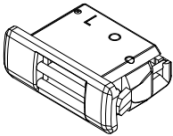
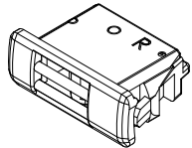
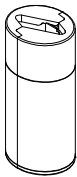
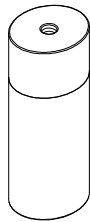
No	Description
1	Screws for Installation Bracket
2	Installation Bracket
3	Head Rail End Cap
4	Blanket
5	Bottom Rail End Cap
6	Hold Down Bracket
7	Screw for Hold Down Bracket
8	Head Rail
9	Cord Lock Assembly
10	Cord
11	Cord Consolidator
12	Cord Cleat (Plastic)
13	Tassel
14	Bottom Rail
15	Head Rail PVC Cover

Approver		Corded	Code	P-HC-0008
Reviewer	Monica Lai		Edition	A
Compiler	Maggie Zhang		Page	3/8
			Effective Date	2017/1/1

2 on 1 drawing:



2. Components

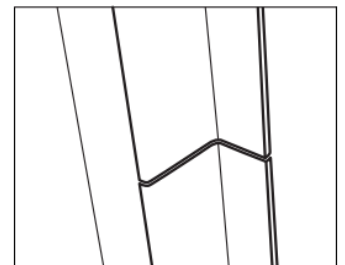
Item	Drawing	Item	Drawing
Head Rail for 3/8" (25mm) Single Shade		Bottom Rail for 3/8" (25mm) Single Shade	
Head Rail for 3/8" (38mm) Double Shade		Bottom Rail for 3/8" (38mm) Double Shade	
Head Rail for 3/4" (45mm) Single Shade		Bottom Rail for 3/4" (45mm) Single Shade	
Insta-lock for left control		Insta-lock for Right control	
Cord Consolidator (Breakaway)		Tassel	

Approver		Corded	Code	P-HC-0008
			Edition	A
Reviewer	Monica Lai		Page	4/8
Compiler	Maggie Zhang		Effective Date	2017/1/1

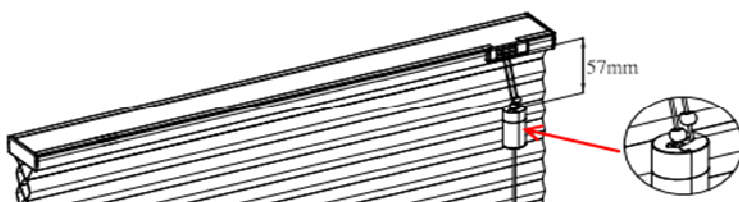
Installation Bracket for 3/8" (25mm) Single Shade (Universal for OB & IB)		Installation Bracket for 3/8" (38mm) Double Shade (universal for OB & IB)	
Cord Cleat		Installation Bracket for 3/4" (45mm) Single Shade (universal for OB & IB)	
Hold Down Bracket (Optional)		Spacer Block (Optional) Note: 10mm thickness for one, 18mm thickness for two	
PVC Light Guard -(Optional / 4pcs per blind) Double side tape stick on the short side (16mm) -Not available for side by side and 2 on 1			

* PVC light guard length: order height – headrail height – 3mm

Packing way	<ol style="list-style-type: none"> When light guard length > shade width and ≥ 2000mm, light guard will be sliced to 2 parts evenly. Overall light guard per blind will become 8 pcs after sliced. When light guard length or sliced length > shade width, light guard will be packed separately from the shade.
	When light guard length or sliced length \leq shade width, light guard will be packed together with shade.



* Cord-stop bead will be supplied in order to prevent the cords going back to the headrail when the breakaway cord connector is breakaway. Moreover, the size measured from the bottom of cord lock to top of breakaway cord connector will be changed to 57mm. Please refer to the drawing below for reference:





Shutter Shop Honeycomb Shade Program Binder

Approver		Corded	Code	P-HC-0008
Reviewer	Monica Lai		Edition	A
Compiler	Maggie Zhang		Page	5/8
			Effective Date	2017/1/1

3. Available Blanket

Fabric type	Cell Type		
	3/8" (25mm) Single	3/8" (38mm) Double	3/4" (45mm) Single
Sheer	Yes	NO	Yes
Light Filtering	Yes	Yes	Yes
Semi-Opaque	Yes	Yes	Yes
Room Darkening	Yes	Yes	Yes
Designer Fabric	Yes	Yes	Yes
Flame Resistant	Yes	Yes	Yes

*** 3/8" (35mm) double fabrics will be changed to 3/8" (38mm) double fabrics, which would be running change.

4. Size Limitation

Item		Min Size	Max Size	Max. Area
Single Shade	Shade Width	8 1/2" (220mm)	96" (2,500mm)	60Sqft (5.5 SQM)
	Shade Height	10" (250mm)	144" (3,600mm)	
2 on 1	Shade Width	17 1/4" (440mm)	120" (3,000cm)	60Sqft per shade (5.5 SQM)
	Shade Height	10" (250mm)	144" (3,600mm)	

* The above chart does not mean that a shade can be ordered in maximum width and maximum height.

* The shade width & drop must be within the size limitation listed above.

* For 2 on 1: the gap between each shade will be 1/4" (6.4mm).

- Control Position (for single shade)

Cord Lock Assembly	Default	Optional
	Right	Left

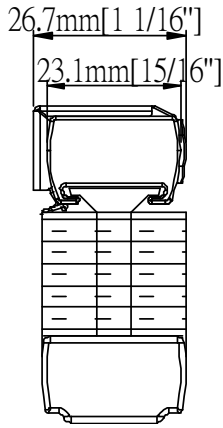
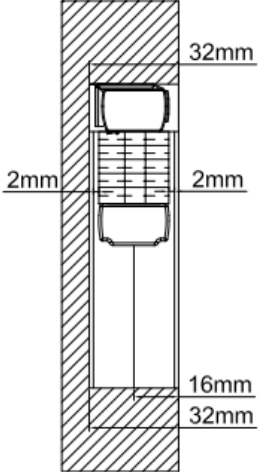
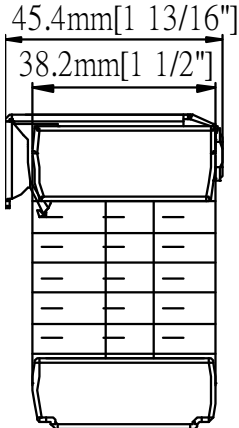
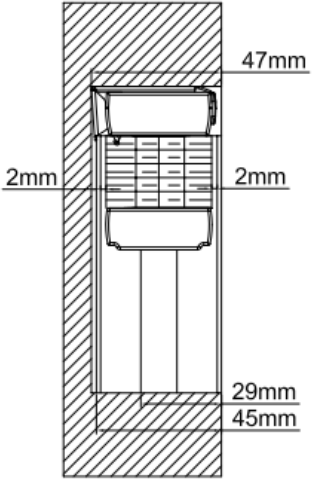
Note: The pull cord length will be supplied as default to comply with the EU Child Safety Regulation otherwise specify on the order form.

5. Colour Options and Colour Coordination Chart

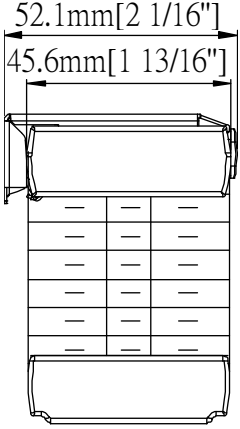
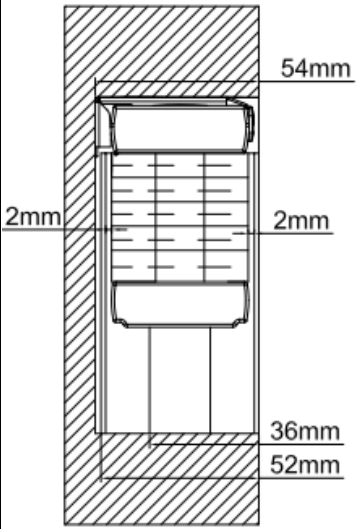
- Colour Options: Appendix 1
- Colour coordination chart: Appendix 2

Approver		Corded	Code	P-HC-0008
			Edition	A
Reviewer	Monica Lai		Page	6/8
Compiler	Maggie Zhang		Effective Date	2017/1/1

6. Installation Illustration

Cell Size	Minimum Mounting Depth (without PVC light guard)	Drawing (without PVC light guard)	Minimum Mounting Depth (with PVC light guard)	Drawing (with PVC light guard)
3/8" (25mm) Single	27mm		32mm	
3/8" (38mm) Double	46mm		47mm	

Approver		Corded	Code	P-HC-0008
			Edition	A
Reviewer	Monica Lai		Page	7/8
Compiler	Maggie Zhang		Effective Date	2017/1/1

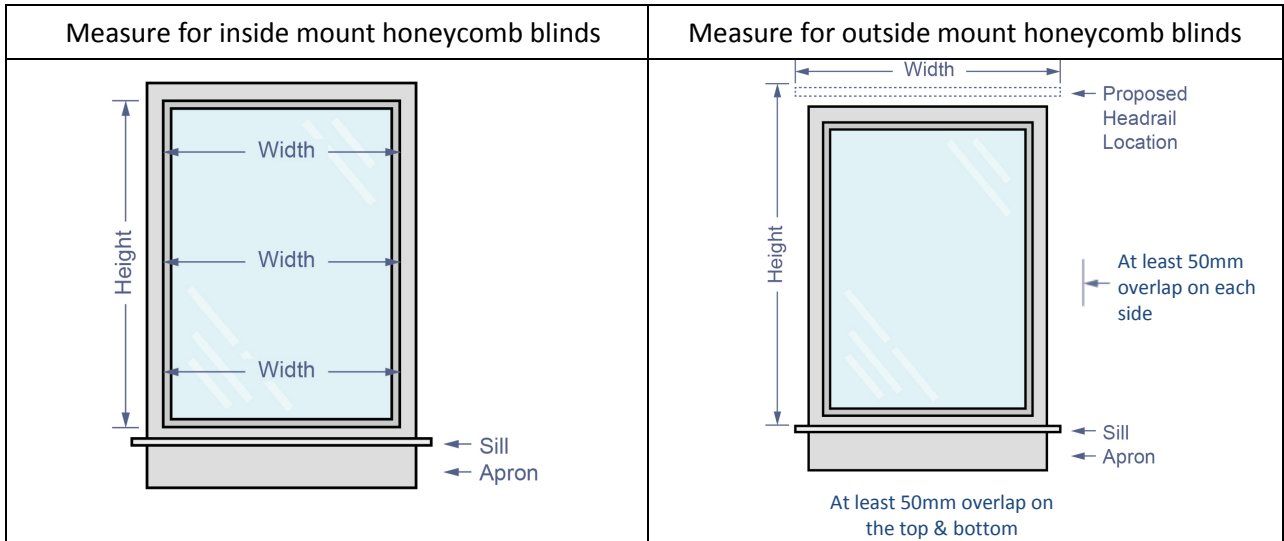
Cell Size	Minimum Mounting Depth (without PVC light guard)	Drawing (without PVC light guard)	Minimum Mounting Depth (with PVC light guard)	Drawing (with PVC light guard)
3/4" (45mm) Single	53mm		54mm	

*Minimum mounting depth is the depth required in the window frame, for the blind to be mounted inside mount.

7. Order Size Definition

- Outside Mount:
Shade Width = Order Width
Shade Height = Order Height
- Inside Mount:
Shade Width = Order Width - 3/8" (9.5mm)
Shade Height = Order Height
- Shade Width: measure from left of blanket to right of blanket
- Shade Height: measure from the top of head rail to the bottom of bottom rail when the shade is fully extended.
- Tolerance: Shade width may vary -1/8" (3mm) ~1/8" (3mm) and height may vary +1/4" (6mm)~ +3/4" (19mm)

Approver		Corded	Code	P-HC-0008
			Edition	A
Reviewer	Monica Lai		Page	8/8
Compiler	Maggie Zhang		Effective Date	2017/1/1



8. The Claim Limitation Date for Shipping Damage for Airfreight Orders:

For all airfreight orders with shipping damages, claims must be submitted within 2 weeks after the date of receipt.