



Shutter Shop Honeycomb Shade Program Binder

Approver		SmartFit for Sloped Window	Code	P-HC-0016
Reviewer	Monica Lai		Edition	A
Compiler	Maggie Zhang		Page	1/6
			Effective Date	2017/1/1

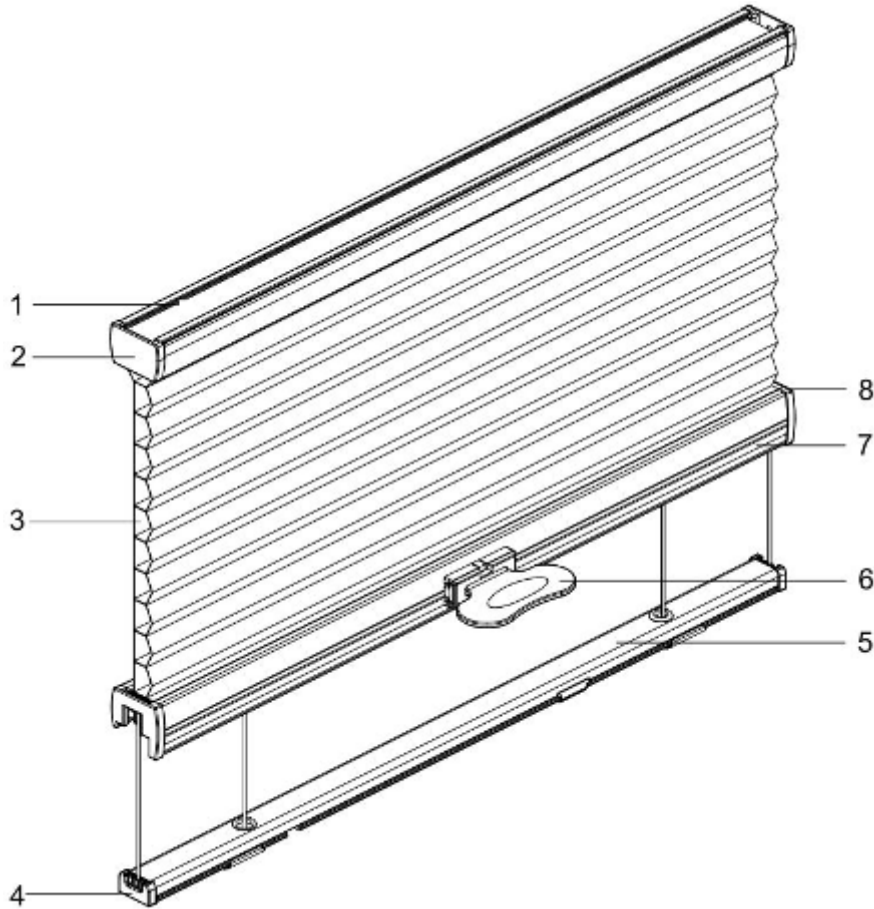
Table of Contents

	Page
Terminology	2
Components	3-4
Available Blanket	4
Colour Options	4
Size Limitation	4
Installation illustration	5
Order Size Definition	5-6
The Claim Limitation Date for Shipping Damage for Airfreight Orders	6

Approver		SmartFit for Sloped Window	Code	P-HC-0016
Reviewer	Monica Lai		Edition	A
Compiler	Maggie Zhang		Page	2/6
			Effective Date	2017/1/1

1. Terminology

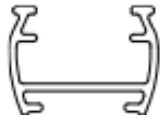
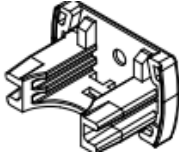
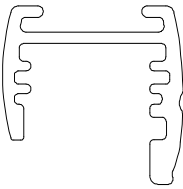
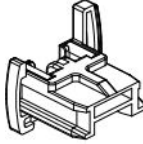
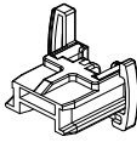
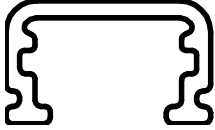
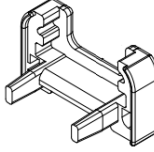
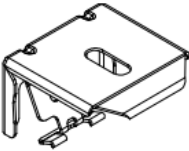
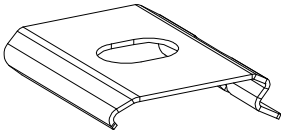
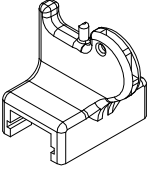
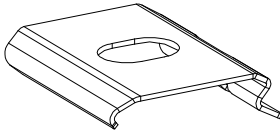
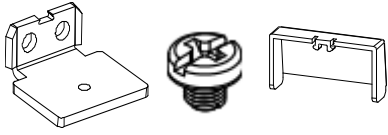
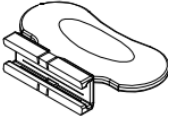
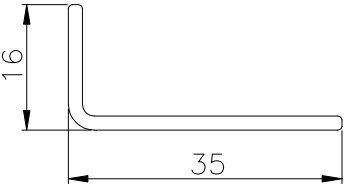
3/8" (25mm) Single Cell



No	Description
1	Head Rail
2	Head Rail End cap
3	Blanket
4	Bottom Rail End cap
5	Bottom Rail
6	Handle
7	Middle Rail
8	Middle Rail End cap

Approver		SmartFit for Sloped Window	Code	P-HC-0016
Reviewer	Monica Lai		Edition	A
Compiler	Maggie Zhang		Page	3/6
			Effective Date	2017/1/1

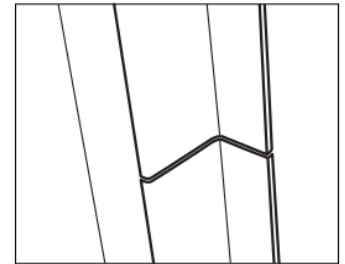
2. Components

Item	Drawing	Item	Drawing
Head Rail		Head Rail End Cap	
Middle Rail		Middle Rail End Cap	  (Left) (Right)
Bottom Rail		Bottom Rail End Cap	
Installation Bracket for Head Rail (Universal for IB & OB)		Installation Bracket for Bottom Rail (IB)	
Regulator		Installation Bracket for Bottom Rail (OB: L-Shape Supporting Bracket Set added for OB)	 
Handle		PVC Light Guard -(Optional / 4pcs per blind) Double side tape stick on the short side (16mm) -Not available for side by side	

Approver		SmartFit for Sloped Window	Code	P-HC-0016
			Edition	A
Reviewer	Monica Lai		Page	4/6
Compiler	Maggie Zhang		Effective Date	2017/1/1

* PVC light guard length: order height

Packing way	<ol style="list-style-type: none"> When light guard length > shade width and $\geq 2000\text{mm}$, light guard will be sliced to 2 parts evenly. Overall light guard per blind will become 8 pcs after sliced. When light guard length or sliced length > shade width, light guard will be packed separately from the shade.
	When light guard length or sliced length \leq shade width, light guard will be packed together with shade.



3. Available Blanket

Fabric type	Cell Type
	3/8" (25mm) Single
Sheer	Yes
Light Filtering	Yes
Semi-Opaque	Yes
Room Darkening	Yes
Designer Fabric	Yes
Flame Resistant	Yes

4. Colour Options and Colour Coordination Chart

- Colour Options: Appendix 1
- Colour coordination chart: Appendix 3

5. Size Limitation

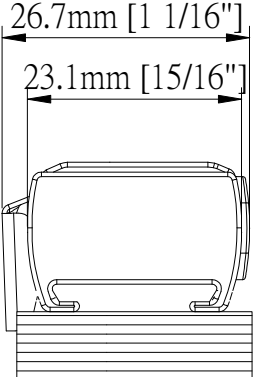
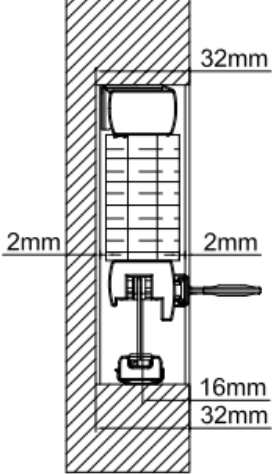
Shade Type			Min. Size	Max. Size	Max. Area
Single Shade	3/8"(25mm) Single Cell	Shade Width	8 1/2" (220mm)	59" (1,500mm)	48 SQFT (4.5 SQM)
		Shade Drop	6" (150mm)	120" (3,000mm)	

* The shade width & drop must be within the size limitation listed above.

* The above chart does not mean that a shade can be ordered in maximum width and maximum height.

Approver		SmartFit for Sloped Window	Code	P-HC-0016
			Edition	A
Reviewer	Monica Lai		Page	5/6
Compiler	Maggie Zhang		Effective Date	2017/1/1

6. Installation illustration

Cell Size	Minimum Mounting Depth (without PVC light guard)	Drawing (without PVC light guard)	Minimum Mounting Depth (with PVC light guard)	Drawing (with PVC light guard)
3/8" (25mm) single	27mm		32mm	

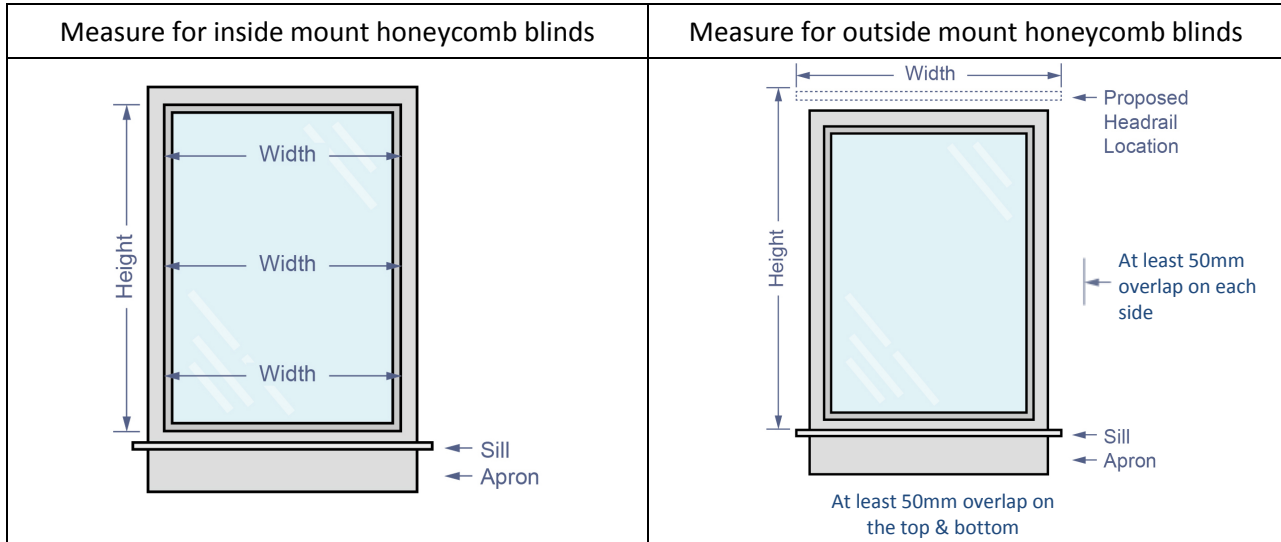
*Minimum mounting depth is the depth required in the window frame, for the blind to be mounted inside mount.

7. Order Size Definition

- Outside Mount:
Shade Width = Order Width
Shade Height = Order Height
- Inside Mount:
Shade Width = Order Width - 1/4" (6mm)
Shade Height = Order Height
- Shade Width: measure from left of blanket to right of blanket.
- Shade Height: measure from the top of head rail to the bottom of bottom rail when the shade is fully extended along the straight cords.

Tolerance: Shade width may vary -1/8" (3mm) ~1/8" (3mm). The tightness of shade blanket can be adjusted a bit to better fit your window by regulator.

Approver		SmartFit for Sloped Window	Code	P-HC-0016
			Edition	A
Reviewer	Monica Lai		Page	6/6
Compiler	Maggie Zhang		Effective Date	2017/1/1



8. The Claim Limitation Date for Shipping Damage for Airfreight Orders

For all airfreight orders with shipping damages, claims must be submitted within 2 weeks after the date of receipt.