



Shutter Shop Honeycomb Shade Program Binder

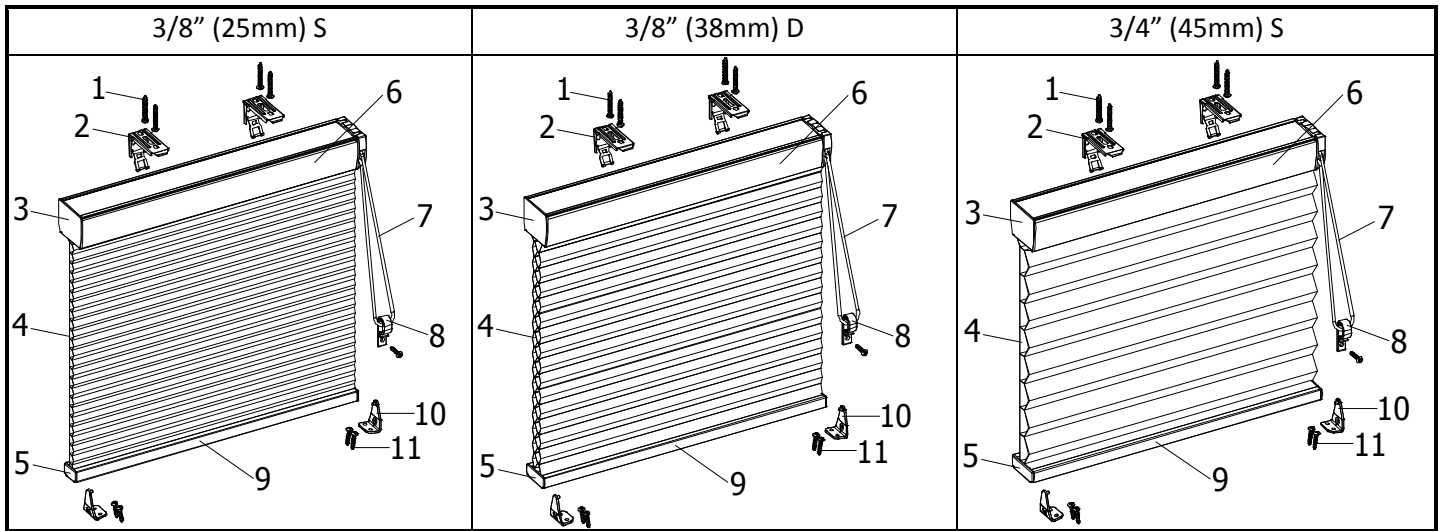
Approver		Cord Loop	Code	P-HC-0007
			Edition	A
Reviewer	Monica Lai		Page	1/6
Compiler	Maggie Zhang		Effective Date	2017/1/1

Table of Contents

	Page
Terminology	2
Components	3
Available Blanket	4
Size Limitation	4
Colour Options	4
Installation illustration	5
Order Size Definition	6
The Claim Limitation Date for Shipping Damage for Airfreight Orders	6

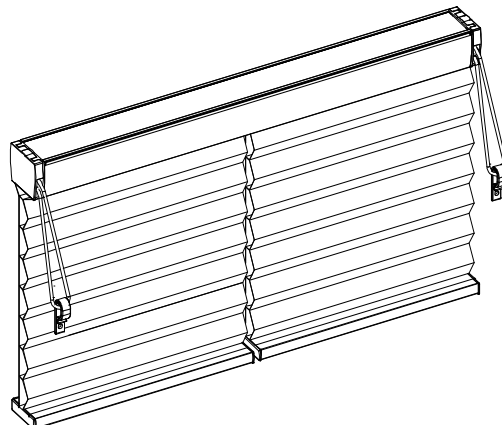
Approver		Cord Loop	Code	P-HC-0007
			Edition	A
Reviewer	Monica Lai		Page	2/6
Compiler	Maggie Zhang		Effective Date	2017/1/1

1. Terminology



No	Description
1	Screws for installation bracket
2	Installation Bracket
3	Head Rail End Cap
4	Blanket
5	Bottom Rail End Cap
6	Head Rail
7	Cord
8	Cord Cleat
9	Bottom Rail
10	Hold Down Bracket
11	Screws for Hold Down Bracket

2 on 1 drawing:



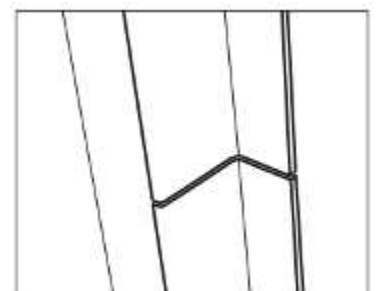
Approver		Cord Loop	Code	P-HC-0007
			Edition	A
Reviewer	Monica Lai		Page	3/6
Compiler	Maggie Zhang		Effective Date	2017/1/1

2. Components

Item	Drawing	Item	Drawing
Head Rail for 3/8" (25mm) Single, 3/8" (38mm) Double & 3/4" (45mm) Single Shade		Bottom Rail for 3/8" (25mm) Single Shade	
Bottom Rail for 3/8" (38mm) Double Shade		Bottom Rail for 3/4" (45mm) Single Shade	
Spacer Block (Optional) Note: 10mm thickness for one, 18mm thickness for two		Cord Cleat	
Installation Bracket for 3/8" (25mm) Single, 3/8" (38mm) Double & 3/4" (45mm) Single (universal for IB & OB)		Hold Down Bracket (Optional)	
PVC Light Guard -(Optional / 4pcs per blind) Double side tape stick on the short side (16mm) -Not available for side by side and 2 on 1			

* PVC light guard length: order height – headrail height – 3mm

Packing way	<ol style="list-style-type: none"> When light guard length > shade width and ≥ 2000mm, light guard will be sliced to 2 parts evenly. Overall light guard per blind will become 8 pcs after sliced. When light guard length or sliced length > shade width, light guard will be packed separately from the shade.
	When light guard length or sliced length \leq shade width, light guard will be packed together with shade.





Shutter Shop Honeycomb Shade Program Binder

Approver		Cord Loop	Code	P-HC-0007
Reviewer	Monica Lai		Edition	A
Compiler	Maggie Zhang		Page	4/6
			Effective Date	2017/1/1

3. Available Blanket

Fabric type	Cell Type		
	3/8" (25mm) Single	3/8" (38mm) Double	3/4" (45mm) Single
Sheer	Yes	NO	Yes
Light Filtering	Yes	Yes	Yes
Semi-Opaque	Yes	Yes	Yes
Room Darkening	Yes	Yes	Yes
Designer Fabric	Yes	Yes	Yes
Flame Resistant	Yes	Yes	Yes

*** 3/8" (35mm) double fabrics will be changed to 3/8" (38mm) double fabrics, which would be running change.

4. Size Limitation

Shade Type		Min. Size	Max. Size	Max. Area
Single Shade	Shade Width	15" (380mm)	120" (3,000mm)	80 SQFT (7.5 SQM)
	Shade Drop	10 " (250mm)	144" (3,600mm)	
2 on 1	Shade Width	30 1/4" (770mm)	120" (3,000mm)	80 SQFT per shade (7.5 SQM)
	Shade Drop	10 " (250mm)	144" (3,600mm)	

*The order width & drop must be within the size limitation listed above.

*The above chart does not mean that a shade can be ordered in maximum width and maximum height.

* For 2 on 1: the gap between each shade will be 1/4" (6.4mm).

- Control Position (for single shade)

Cord loop Cord Tensioner	Default	Optional
	Right	Left

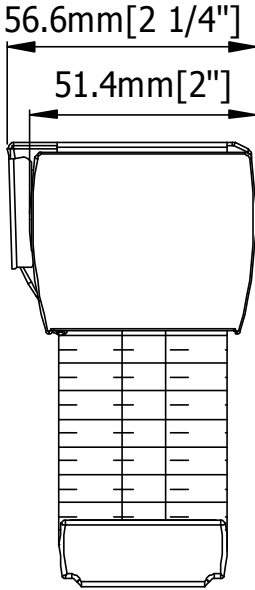
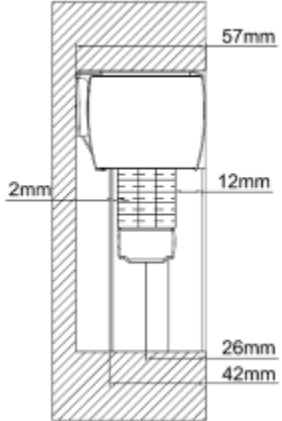
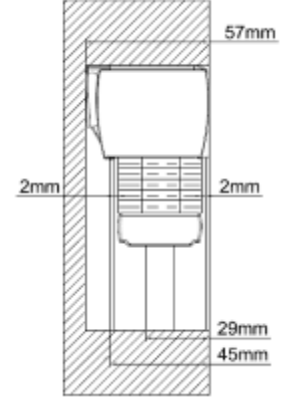
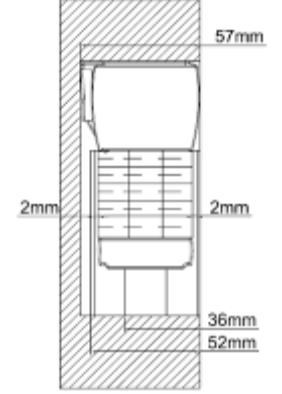
Note: The pull cord length will be supplied as default otherwise specify on the order form.

5. Colour Options and Colour Coordination Chart

- Colour Options: Appendix 1
- Colour coordination chart: Appendix 2

Approver		Cord Loop	Code	P-HC-0007
			Edition	A
Reviewer	Monica Lai		Page	5/6
Compiler	Maggie Zhang		Effective Date	2017/1/1

6. Installation Illustration

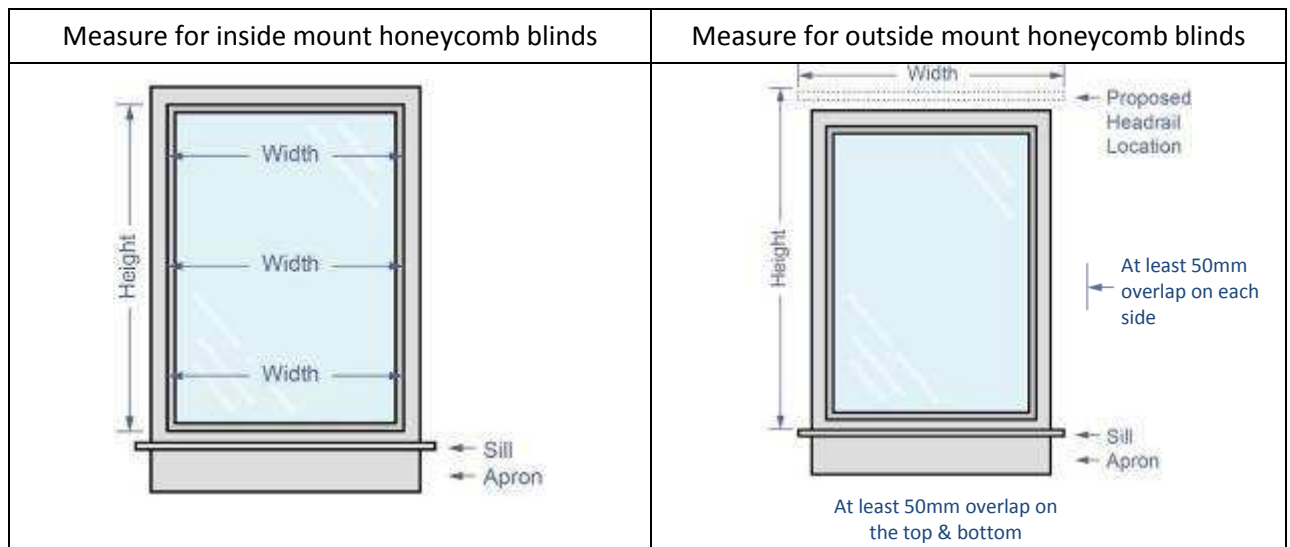
Cell Size	Minimum Mounting Depth (without PVC light guard)	Drawing (without PVC light guard)	Minimum Mounting Depth (with PVC light guard)	Drawing (with PVC light guard)
3/8" (25mm) Single	2 1/4" (57mm)			
3/8" (38mm) Double			2 1/4" (57mm)	
3/4" (45mm) Single				

*Minimum mounting depth is the depth required in the window frame, for the blind to be mounted inside mount.

Approver		Cord Loop	Code	P-HC-0007
Reviewer	Monica Lai		Edition	A
Compiler	Maggie Zhang		Page	6/6
			Effective Date	2017/1/1

7. Order Size Definition

- Outside Mount:
 - Shade Width = Order Width
 - Shade Height = Order Height
- Inside Mount:
 - Shade Width = Order Width - 3/8" (9.5mm)
 - Shade Height = Order Height
- Shade Width: measure from left of blanket to right of blanket
- Shade Height: measure from the top of head rail to the bottom of bottom rail when the shade is fully extended.
- Tolerance: Shade width may vary -1/8" (3mm) ~ 1/8" (3mm) and height may vary +3/8" (9.5mm) ~ + 1 1/4" (32mm)



8. The Claim Limitation Date for Shipping Damage for Airfreight Orders:

For all airfreight orders with shipping damages, claims must be submitted within 2 weeks after the date of receipt.